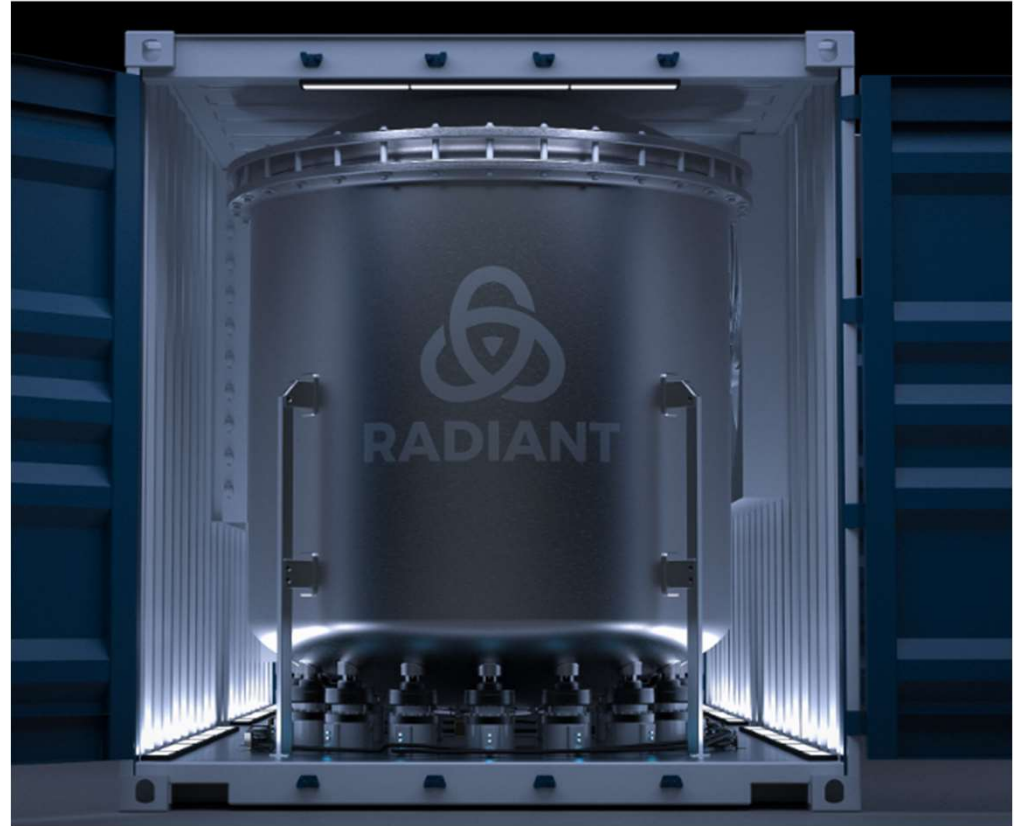


Radiant

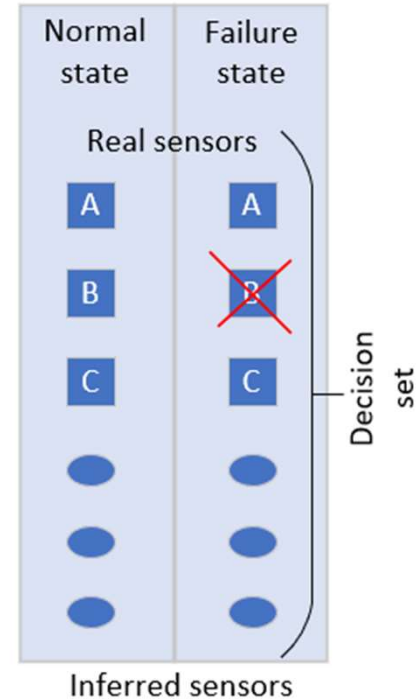
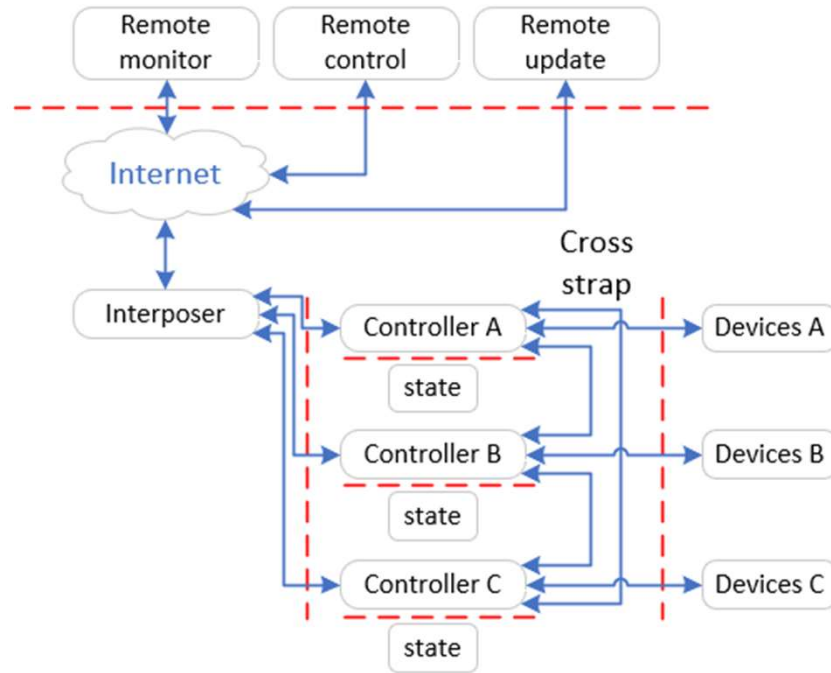
- Founded 2019 by former SpaceX, Located in LA, 8 staff
- Developing the Kaleidos Fission Battery
 - Portable micro HTGR in shipping container
 - Factory Construction
 - Designed for Unattended Operations



Bringing aerospace and software engineering to Nuclear.

Unattended Operations Cybersecurity

- High reliability and low maintenance requires multi-string architecture, and sensor inference
- Remote connection is required for fleet level monitoring, control, and updates
- The combination of the above factors leads to a complex cybersecurity approach
- Defense-in-depth: authentication, encryption, and layers



FMEA and FDIR are promising design methods to achieve a successful implementation